

Project _____
Item _____
Quantity _____
FCSI Section _____
Approval _____
Date _____



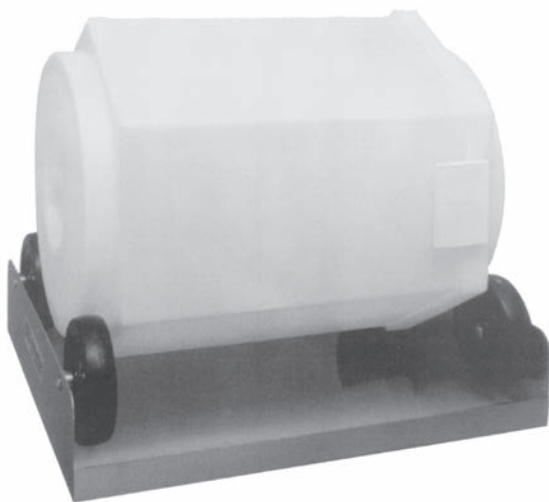
Broaster[®] 620 Motorized Easy Breeder



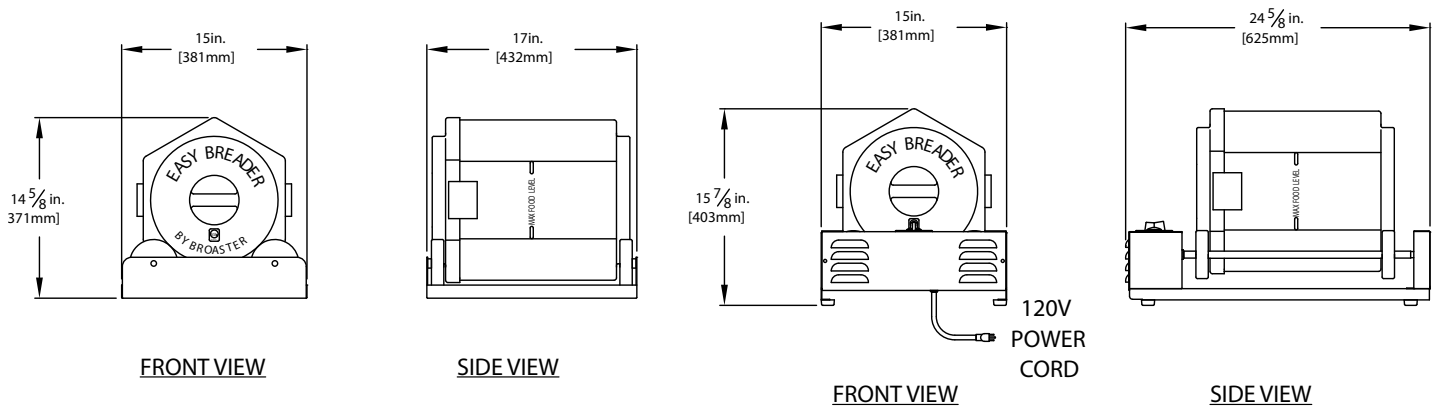
Standard Features

- Fits almost anywhere – compact unit requires only 2.53 square feet of countertop space.
- Marinates up to 14 pounds of product in 15 minutes.
- Coats up to 14 pounds of product in just 3 minutes.
- Breeder available in both manual and motorized versions.
- Optional marinating accessory kit provides a quick, easy and consistent method for both marinating and coating.

Broaster[®] 621 Manual Easy Breeder



Broaster® 620 Motorized Easy Breeder



Dimensions

Part No.	Description	Overall Dimensions			Shipping Weight	Cubes
		W	D	H		
85302	Model 620 Easy Breeder - motorized base	15"	24-5/8"	5-3/8"	40 lbs.	4.17
85003	Model 621 Easy Breeder - non motorized base	15"	17"	4-3/4"	16 lbs.	2.17
08282	Breeder Drum (13-1/2" diameter across corners)		16-3/8"		6 lbs.	1.67
16210	Marinator Accessory Kit (for Model 620 only)	-	-	-	37 lbs.	1.26

85302 Model 620 Motorized Easy Breeder (85350 - 220V)

- 30 minute timer
- 3-wire grounded cord included
- 120V electrical
- Two 30-rpm shaded pole garmotors driving all four rollers
- Compact design fits easily on almost any countertop
- Design listed by UL, CSA, NSF

Includes two 08282 Breeder Drums constructed of dishwasher safe high density polyethelene. (NSF listed.)



85003 Model 621 Manual Easy Breeder

- Compact design fits easily on almost any countertop
- Non-motorized base allows it to be placed almost anywhere
- Offers a quick and efficient way to coat you product
- Design listed by NSF

Includes one 08282 Breeder Drum constructed of dishwasher safe high density polyethelene. (NSF listed.)



16210 Marinator Accessory Kit for the Model 620 Easy Breeder

- Includes equipment accessories needed to marinate 14 lbs. of product with your Model 620 Easy Bearer motorized base: stirring paddle, stopper/holder assembly, marinator bags and operating instructions.