



Model: MLR-150 (120v model)

Gas-Fired Wood-Burning Rotisserie Smoker

Approximate Smoker Capacities

(Capacities will vary based on physical shape, weight, and method of loading for each product specified.)

Pork Butts (8-10 lbs)(3.6 - 4.5 kg) each.....24 pieces
St. Louis Ribs (2.75 lbs)(1.2 kg) each.....24 pieces
Whole Chicken (3-4 lbs)(1.4 - 1.8 kg) each....32 pieces
Beef Brisket (12-15 lbs)(5.4 - 6.8 kg) each.....8 pieces



(4) 3-tier, 2 1/2" (64mm) spacing, hanger assemblies
18.5 ft² (1.72 m²) cooking surface



Standard Features:

- Stainless steel construction; exterior and interior.
- Mineral wool insulated cabinet.
- Adjustable 23.5" (597mm) tall steel pipe legs.
- Front or rear flue configuration.
- Low velocity convection fan with 8" (203mm) fan blade (spare blade included).
- Control with on/off switch, a digital thermostat (140° to 325°F)(60° to 163°C), rotisserie advance button, and a pneumatic rotisserie advance foot switch.
- Interior light.
- 2" (51mm) grease drain with ball valve.
- (12) 10" x 22" (254 x 559mm) nickel chrome plated product racks (see illustration above).

Optional Features:

- Mirror image (left side - firebox; right side - gear motor, burner and utility connections).
- Control with a digital cook and hold thermostat ((140° to 325°F)(60° to 163°C), allows for selection of cook temperature, cook time, and hold temperature), and a pneumatic rotisserie advance foot switch.
- Glass product display doors and manual light switch.
- Stainless steel product racks.
- Smoke extractor damper (typically utilized in through the wall direct venting applications).
- VSP eyebrow ventilation hood system.
- Working height locking casters.
- Product shelf mounted below the control panel.
- Lockable control panel cover.
- Trailer package.
- Additional optional accessories are available.



Southern Pride Distributing, LLC
401 S Mill St
Alamo, TN 38001
Phone: 731.696.3175
Fax: 731.696.3180
www.southernpride.com

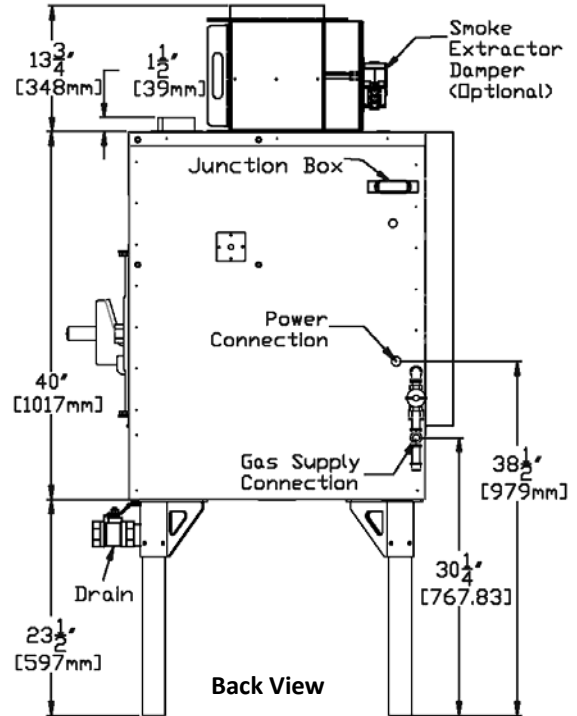
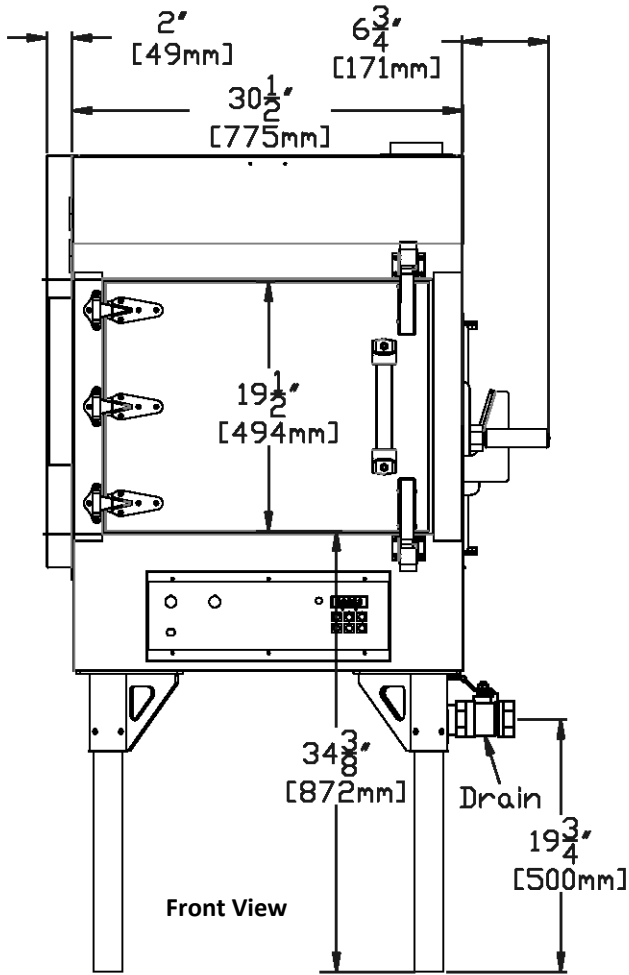
REVISED: September 2016

An ongoing program of product improvement may require us to change specifications without notice.

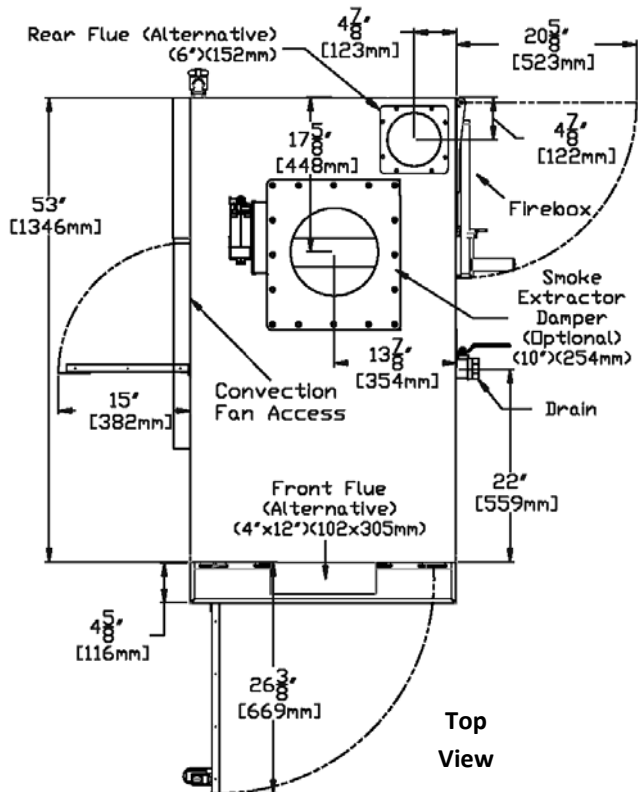
© 2016 Southern Pride Distributing, LLC

Model: MLR-150 (120v model)

Gas-Fired Wood-Burning Rotisserie Smoker



Standard leg locations (center to center) -
25"W x 48"D (635 x 1219mm)



REQUIREMENTS

GAS

1/2 inch gas inlet (NPT)

65,000 BTU (19 KW) - Natural (NG)

Supply line pressure - 4.5" W.C. min - 10.0" W.C. max (11.2 - 26.5 mbar)

OR

65,000 BTU (19 KW) - Propane (LP)

Supply line pressure - 11.0" W.C. min - 13.0" W.C. max (27.4 - 32.4 mbar)

ELECTRICAL

120 volt AC, 60 hertz, 1-phase, 15 amp wiring required, NEMA 5-15P plug

VENTILATION

The smoker must be vented in accordance with the Owner's Manual and the installation must comply with NFPA® 96 and all relevant local and national codes and in a manner acceptable to the authority having jurisdiction.

SHIPPING (crated) - 875 lbs (397 kg), Class 100

83"H x 54"W x 83"D (2108 x 1372 x 2108mm)

Minimum Clearance Requirements from Combustible Material

Back.....18" (457 mm)	Firebox door side.....24" (610mm)
Top.....18" (457mm)	Gear motor side.....18" (457mm)
Front.....48" (1219mm)	

NOTE: If provision is made for service access, gear motor side and back clearance can be reduced to 2" (51mm). Through the wall insulation kit allows for 0" clearance on contact surface with combustibles.